



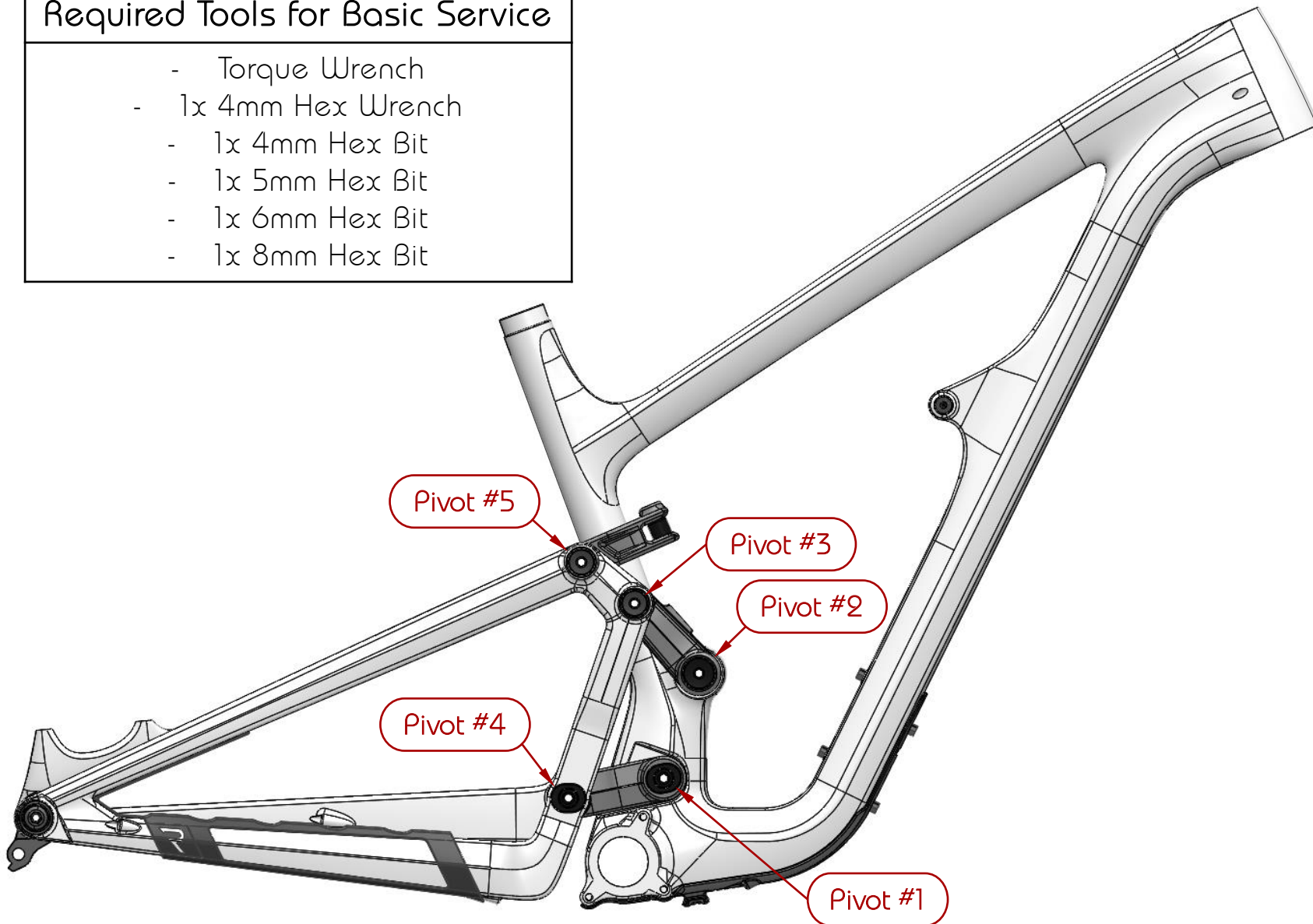
# RAIL 29

Parts Diagram  
&  
Service Manual

## Tools, Pivot Numbers & Torque Specifications

### Required Tools for Basic Service

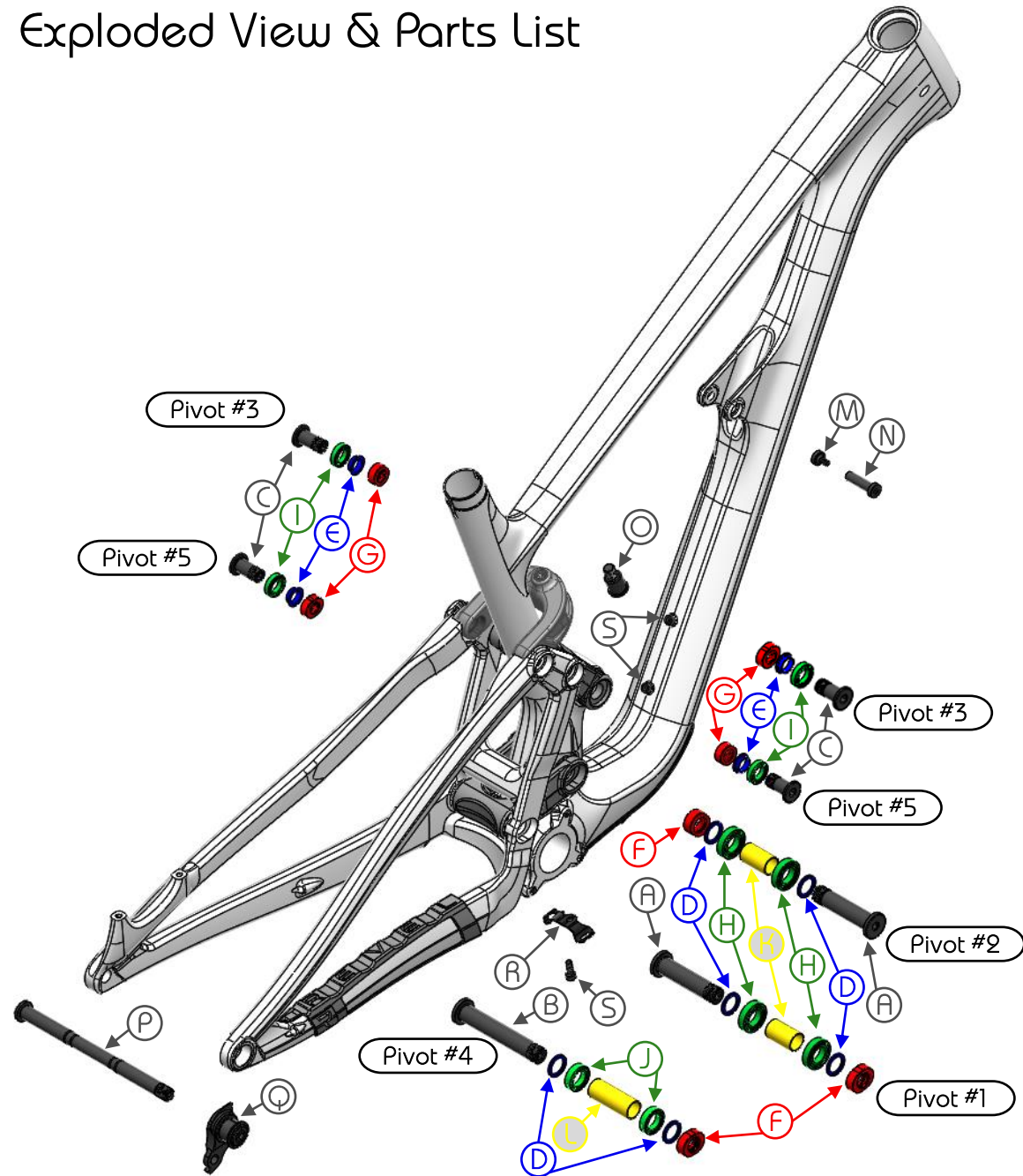
- Torque Wrench
- 1x 4mm Hex Wrench
- 1x 4mm Hex Bit
- 1x 5mm Hex Bit
- 1x 6mm Hex Bit
- 1x 8mm Hex Bit



### Torque Specifications

Pivot #1	15 Nm
Pivot #2	15 Nm
Pivot #3	15 Nm
Pivot #4	15 Nm
Pivot #5	15 Nm
Rear Shock Bolt	15 Nm
Forward Shock Bolt	10 Nm
Rear Axle	13 Nm
Seat Clamp	5 Nm
SRAM UDH	25 Nm

## Exploded View & Parts List



	Part Number	Description	Qty.
A	310-10021-0063	Pivot #1/#2 Axle	2
B	310-10021-0065	Pivot #4 Axle	1
C	310-10021-0066	Pivot #3/#5 Axle	4
D	310-10021-0058	Pivot #1/#2/#4 Spacer	6
E	310-10021-0088	Pivot #3/#5 Spacer	4
F	310-10021-0060	Pivot #1/#2/#4 Axle Nut	3
G	310-10021-0064	Pivot #3/#5 Axle Nut	4
H	-----	6902 Bearing	4
I	-----	6801 Bearing	4
J	-----	3802 Bearing	2
K	310-10021-0062	Pivot #1/#2 Inner Spacer	2
L	310-10021-0061	Pivot #4 Inner Spacer	1
M	310-10021-0050	Forward Shock Bolt	1
N	310-10021-0051	Forward Shock Axle	1
O	310-10021-0077	Rear Shock Bolt	1
P	310-10021-0056	Revel UDH Axle	1
Q	-----	SRAM Universal Derailleur Hanger	1
R	310-10021-0068	Downtube Hose Clamp	1
S	-----	Hose Clamp/Bottle Mount Bolts	5

## Pivot Assembly Overview

- ✗ When servicing your Rail29's linkage, take time to clean all parts thoroughly to ensure creak-free shredding.
- ✗ Apply Ti. Prep or Anti-Seize to threads of forward and rear shock mounting hardware (parts M and O in exploded view).
- ✗ Apply grease to all pivot axle shafts and bearing seal faces. Do not apply grease to the threads of axles and nuts.
- ✗ Apply blue Loctite 242 (or similar) to threads of nuts before threading pivot axles in.
- ✗ We recommend only changing bearings that show signs of wear.
- ✗ To make frame assembly easier, loosely assemble the complete linkage before tightening any of the pivot locations.

Pivot Number	Diagram	Parts List
#1	<p>Lower Link</p> <p>Front Triangle</p> <p>Drive Side</p>	<p>1x (A) 310-10021-0063 Pivot #1/#2 Axle</p> <p>2x (D) 310-10021-0058 Pivot #1/#2/#4 Spacer</p> <p>1x (K) 310-10021-0062 Pivot #1/#2 Inner Spacer</p> <p>2x (H) ----- 6902 Bearing</p> <p>1x (F) 310-10021-0060 Pivot #1/#2/#4 Axle Nut</p> <p>Torque to 15 Nm</p>
#2	<p>Upper Link</p> <p>Front Triangle</p> <p>Drive Side</p>	<p>1x (A) 310-10021-0063 Pivot #1/#2 Axle</p> <p>2x (D) 310-10021-0058 Pivot #1/#2/#4 Spacer</p> <p>1x (K) 310-10021-0062 Pivot #1/#2 Inner Spacer</p> <p>2x (H) ----- 6902 Bearing</p> <p>1x (F) 310-10021-0060 Pivot #1/#2/#4 Axle Nut</p> <p>Torque to 15 Nm</p>

Pivot Assembly Overview

Pivot Number	Diagram	Parts List
#3		<p>2x (C) 310-10021-0066 Pivot #3/#5 Axle                  2x (E) 310-10021-0088 Pivot #3/#5 Spacer                  2x (I) ----- 6801 Bearing                  2x (G) 310-10021-0064 Pivot #3/#5 Axle Nut</p> <p style="text-align: right;">Torque to 15 Nm</p>
#4		<p>1x (B) 310-10021-0065 Pivot #4 Axle                  2x (D) 310-10021-0058 Pivot #1/#2/#4 Spacer                  1x (J) 310-10021-0061 Pivot #4 Inner Spacer                  2x (L) ----- 3802 Bearing                  1x (F) 310-10021-0060 Pivot #1/#2/#4 Axle Nut</p> <p style="text-align: right;">Torque to 15 Nm</p>
#5		<p>2x (C) 310-10021-0066 Pivot #3/#5 Axle                  2x (E) 310-10021-0088 Pivot #3/#5 Spacer                  2x (I) ----- 6801 Bearing                  2x (G) 310-10021-0064 Pivot #3/#5 Axle Nut</p> <p style="text-align: right;">Torque to 15 Nm</p>